

TIMER DHD1 -825-1



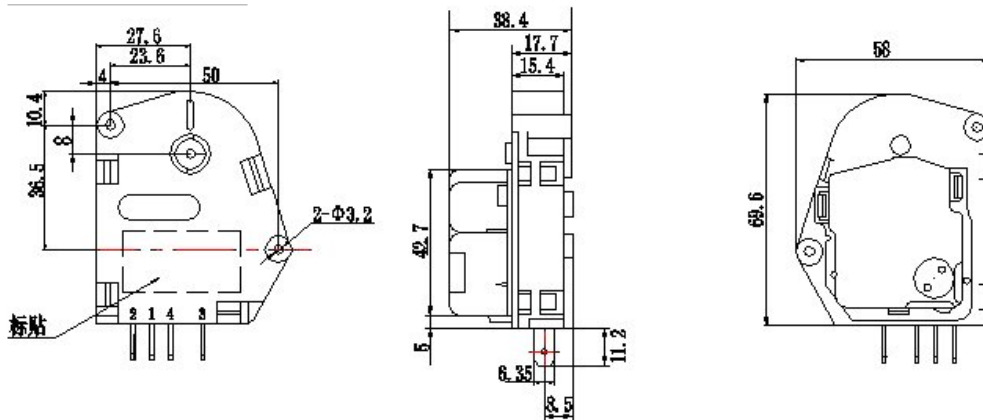
Features of DHD series defrost timer:

- 1 Particular blocking design and optimized the structure ensure the product to work stably with long term.
- 2 Synchronous gearbox provides extremely quiet operation.
- 3 Positioning freedom , can be mounted in any plane.
- 4 Plastics cover, completely enclosed, without screws, requires no earth grounding.
- 5 weight : the timer weights 70 grams.
- 6 Low power input, required only 1 watt. Special 1/4 watt model available upon request.
- 7 Standard terminals (0.8mm by 6.35mm),acceptable in most position.
- 8 Interchangeability : standard mounting configuration permits to use in all application.
- 9 Products have Chinese patent

2. AMBIENT TEMPERATURE :-10 °C— 65 °C

3. INSULATE RESISTANCE: >100M Ω
4. ELECTRICAL STRENGTH:
1500VAC 1MIN(1800VAC 1SEC)
5. ELECTRICAL LIFE: 30000CYCLES
6. NOISE: <30dB
7. CONTACT RESISTANCE: <10m Ω
8. MOTOR START VOLTAGE
<160VAC@220V
<90VAC@120V
9. MOTOR INSULATE LEVEL: A
10. AXLE TORQUE: <9.8Nmm
11. TERMINAL STRENGTH
12. PTI : >250V

REPUESTOS ROJAS SAN ISIDRO 1576 SANTIAGO FONONO: 225552399
 225553562 SANTIAGO CHILE www.repuestosrojas.cl
 repuestosrojas@hotmail.cl



TIMING SCOPE & PRECISION

MODEL	CYCLE TIME		DEFROST TIME	
	50Hz	60Hz	50Hz	60Hz
DHD1-420	4H ± 3MIN	3H20MIN ± 3MIN	20MIN ± 3MIN	16MIN40SEC ± 3MIN
DHD1-621	6H ± 3MIN	5H ± 3MIN	21MIN ± 3MIN	17MIN30SEC ± 3MIN
DHD1-625	6H ± 3MIN	5H ± 3MIN	25MIN ± 3MIN	20MIN50SEC ± 3MIN
DHD1-803	8H ± 3MIN	6H40MIN ± 3MIN	3MIN ± 30SEC	2MIN30SEC ± 30SEC
DHD1-807	8H ± 3MIN	6H40MIN ± 3MIN	7MIN ± 3MIN	5MIN50SEC ± 3MIN
DHD1-825	8H ± 3MIN	6H40MIN ± 3MIN	25MIN ± 3MIN	20MIN50SEC ± 3MIN
DHD1-830	8H ± 3MIN	6H40MIN ± 3MIN	30MIN ± 3MIN	25MIN ± 3MIN
DHD1-1025	10H ± 3MIN	8H20MIN ± 3MIN	25MIN ± 3MIN	20MIN50SEC ± 3MIN
DHD1-1221	12H ± 3MIN	10H ± 3MIN	21MIN ± 3MIN	17MIN30SEC ± 3MIN
DHD1-2496	24H ± 3MIN	20H ± 3MIN	96MIN ± 3MIN	80MIN ± 3MIN

SPECIFICATION

1. RATED VALUE

RATED VOLTAGE	FREQUENCY	INPUT CURRENT	INPUT POWER	LOAD	
				1-2	1-4
AC208-240V	50/60Hz	<4mA	<1W	10A	1/2-1/3hp-1/4 HP
AC120V	50/60Hz	<4mA	<1W	10A	1/2-1/3hp-1/4 HP